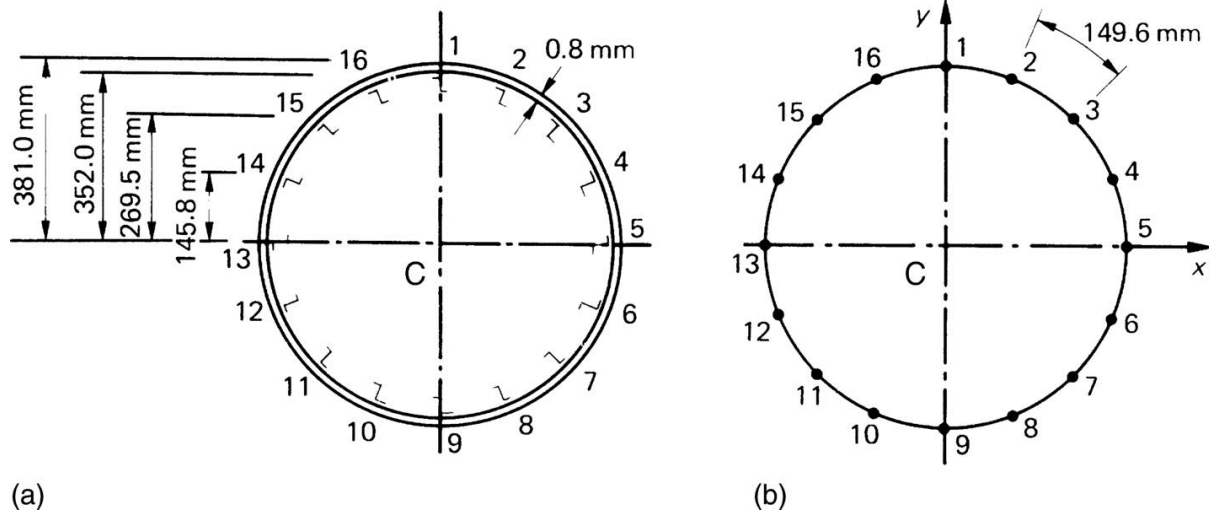
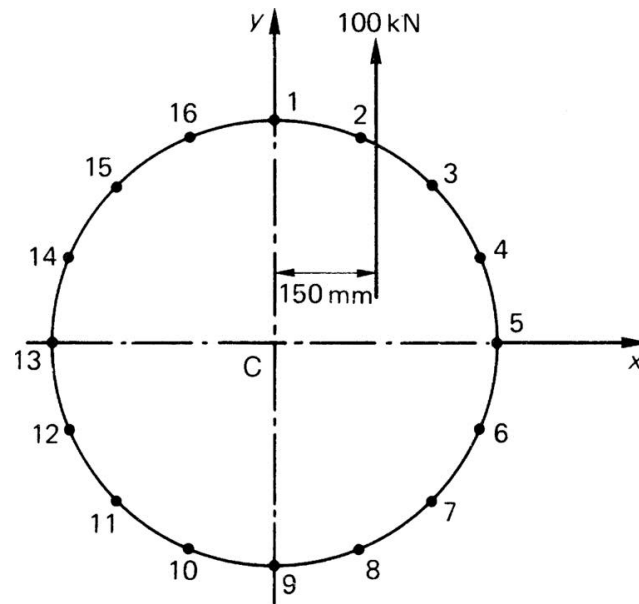


# Chapter 22

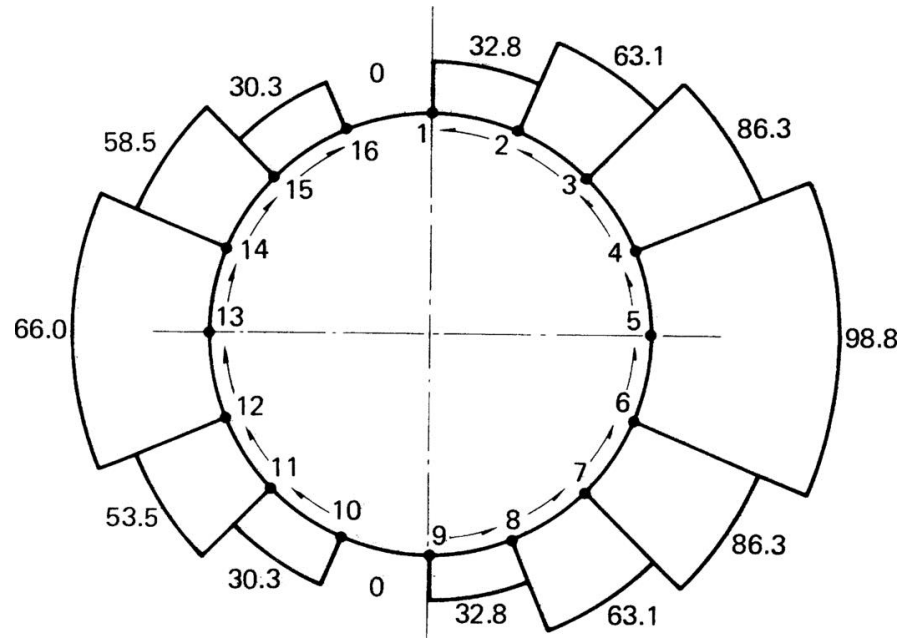
## Fuselages



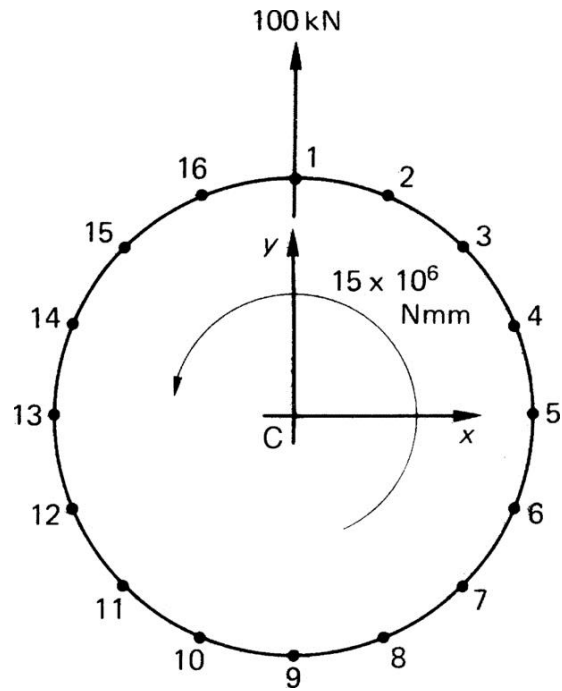
**FIGURE 22.1** (a) Actual Fuselage Section; (b) Idealized Fuselage Section



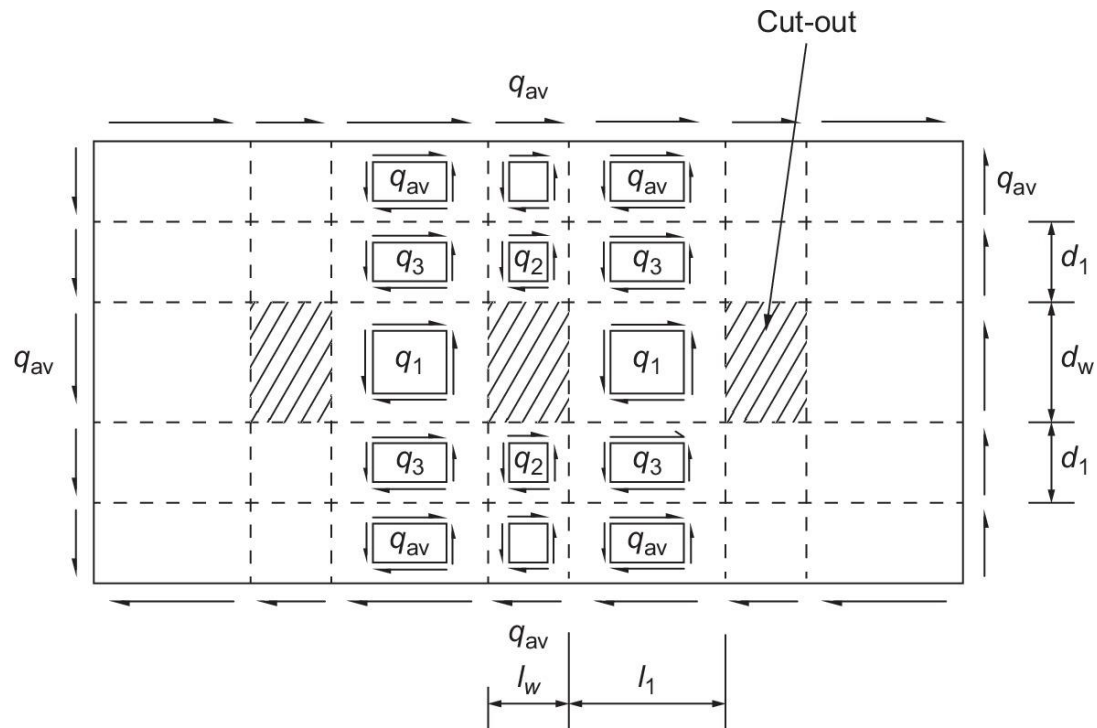
**FIGURE 22.2** Idealized Fuselage Section of Example 22.2



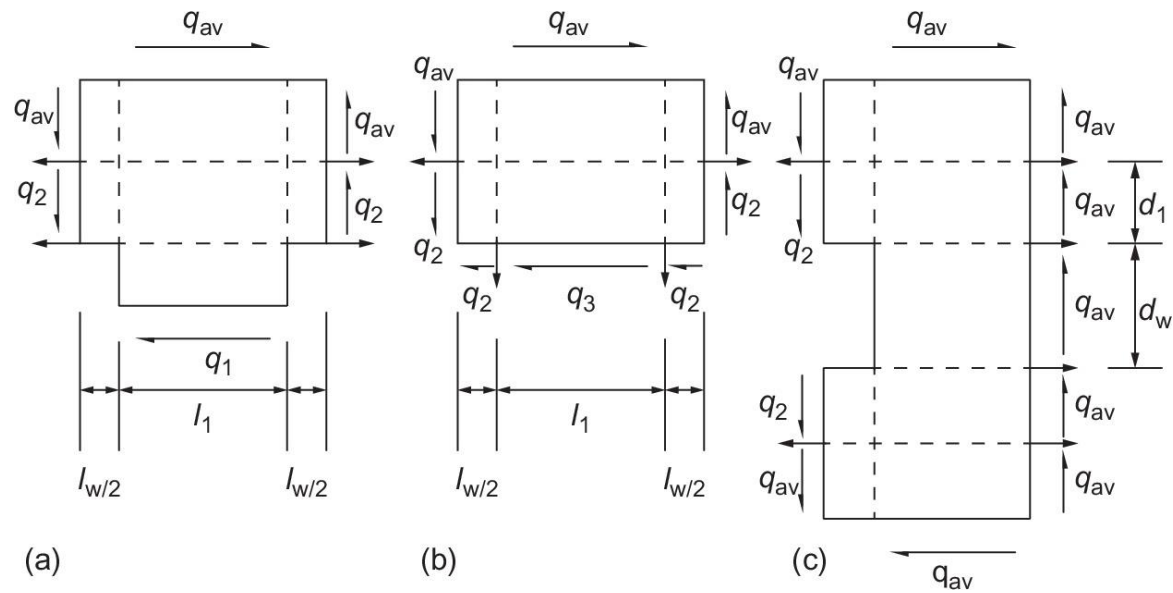
**FIGURE 22.3** Shear Flow (N/mm) Distribution in the Fuselage Section of Example 22.2



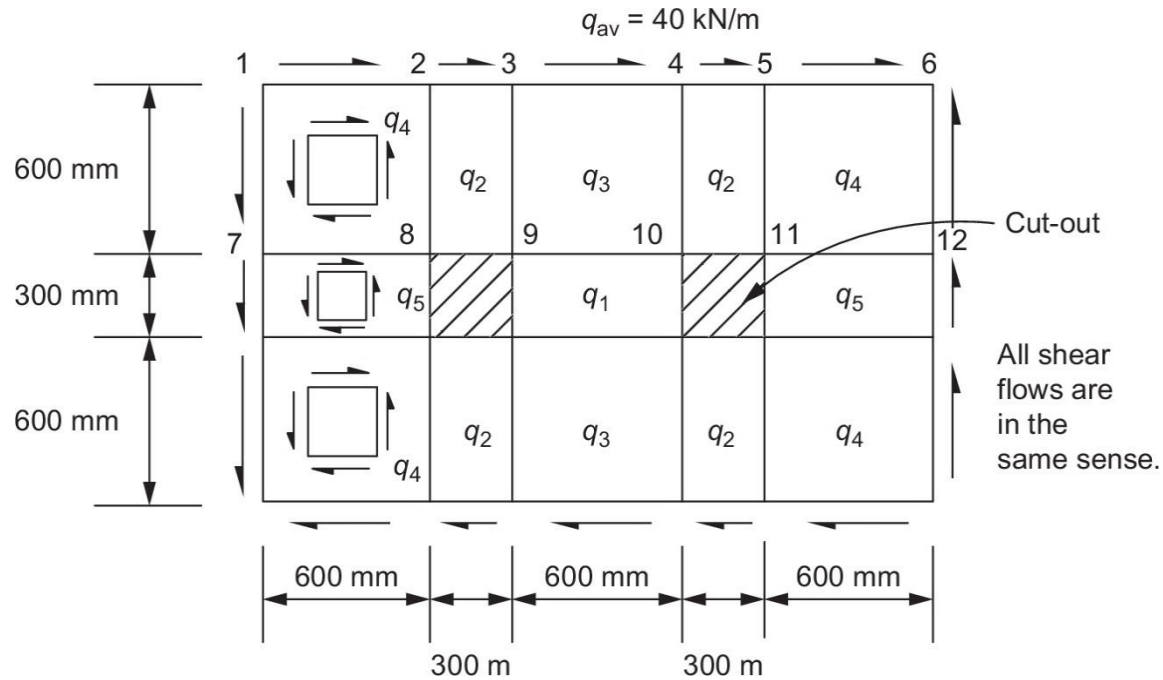
**FIGURE 22.4** Alternative Solution of Example 22.2



**FIGURE 22.5** Fuselage Panel With Regularly Spaced Cut-outs

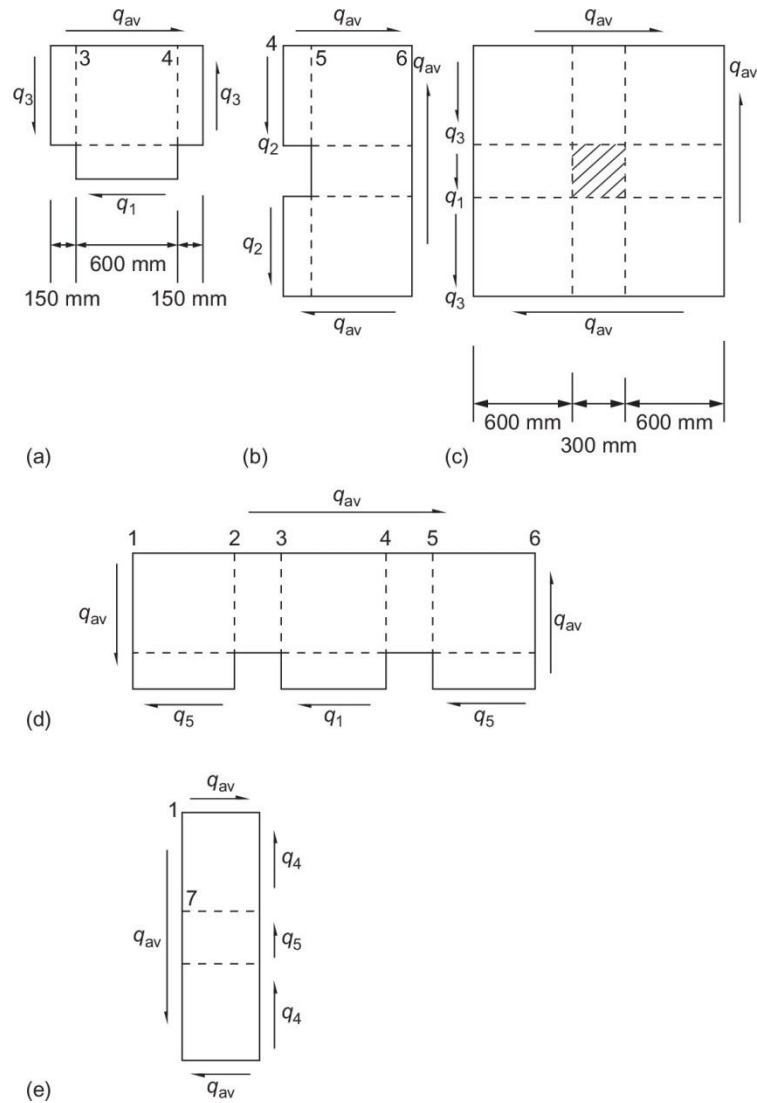


**FIGURE 22.6** Free-body diagrams of portions of the fuselage panel of Fig. 22.5

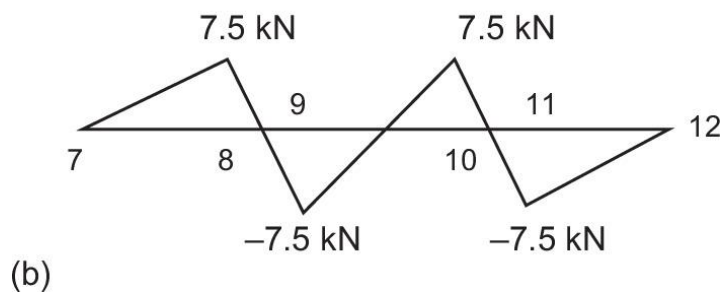
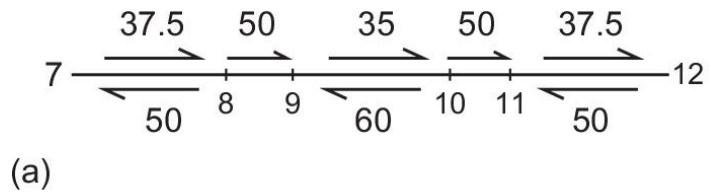


**FIGURE 12.7** Fuselage Panel of Example 22.3





**FIGURE 22.8** Free-Body Diagrams for the Fuselage Panel of Example 22.3



**FIGURE 22.9** (a) Shear Flows (kN/m) Acting on Stringer 7 8 9 10 11 12; (b) Distribution of Axial Load in Stringer 7 8 9 10 11 12

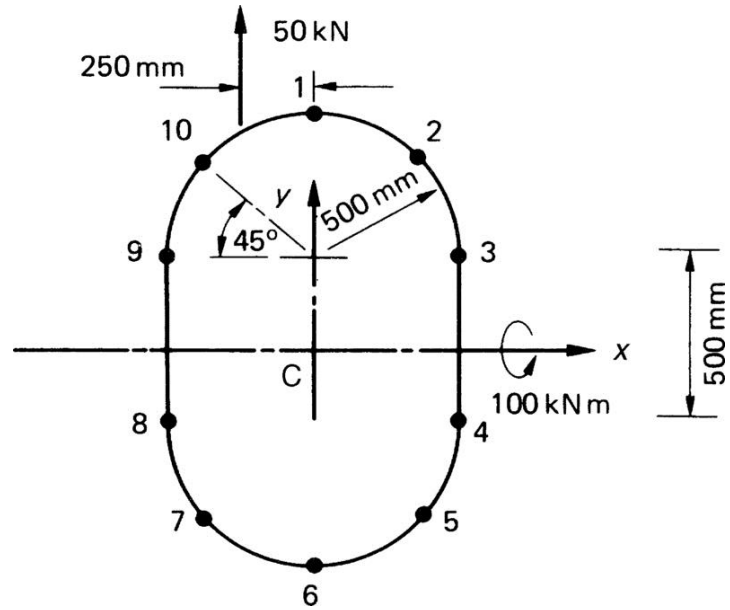
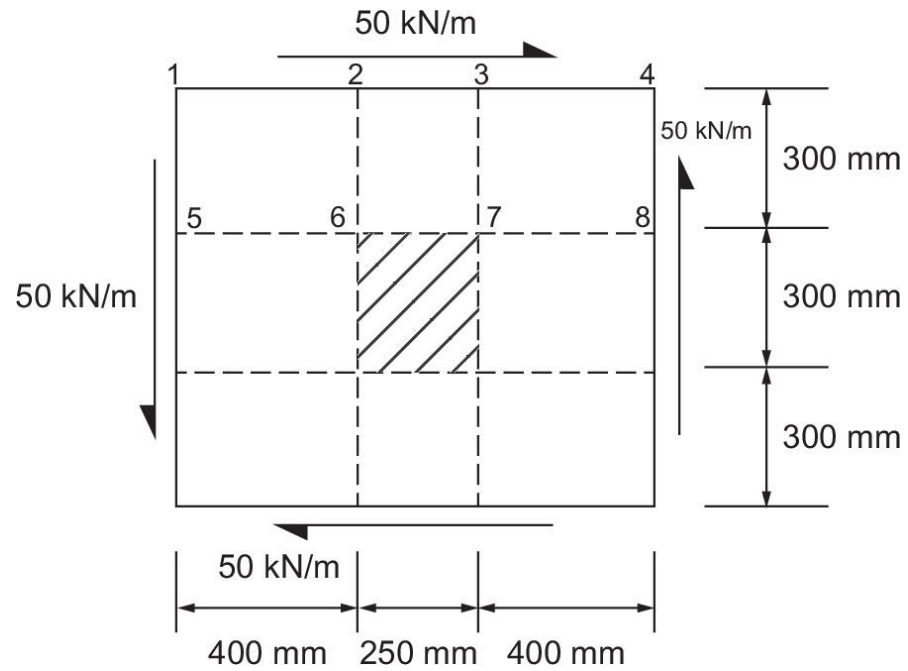


FIGURE P.22.1



**FIGURE P.22.3** Box Beam of Example 21.3